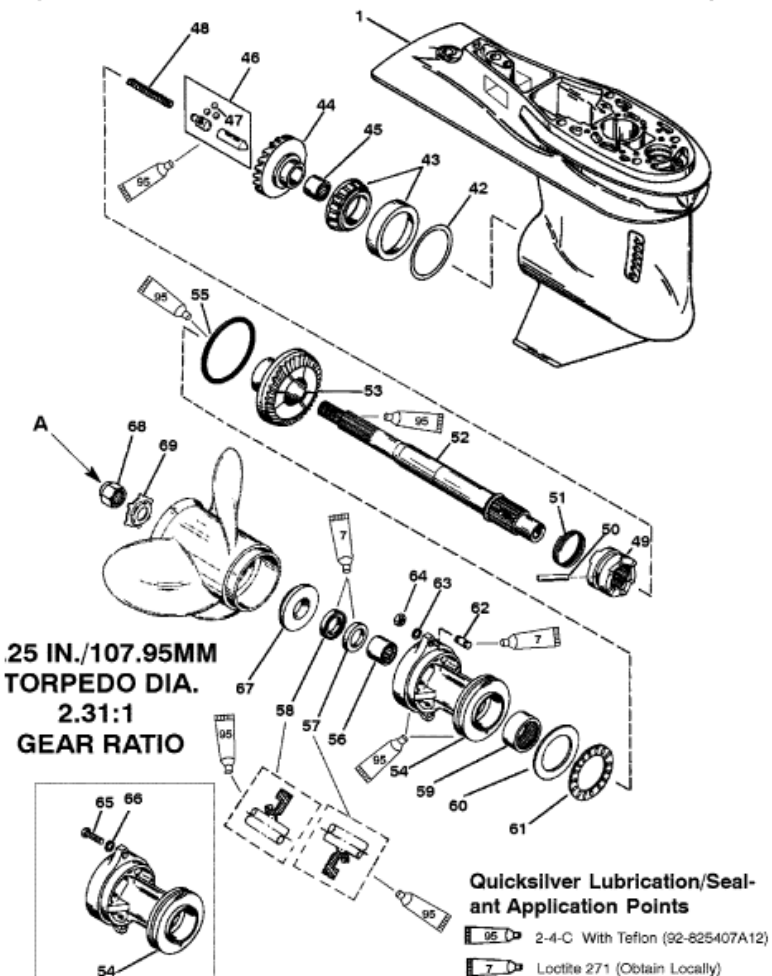


(SEE NOTE ON G/H CHART BEFORE ORDERING FROM THIS PAGE)



Parts List						
Ref	Class	Part	Description	Qty	Comment	Footnote
1	1667	9011A73	GEAR HOUSING	1	(BLACK)	
1	1667	9011A74	GEAR HOUSING	1	(GRAY)	
1	1667	9011A80	GEAR HOUSING	1	(TRACKER-GRAPHITE GRAY)	
42	15	44491A 1	SHIM ASSEMBLY	1		
43	31	30894A 1	TAPERED ROLLER BEARING AS:	1		
44	43	12634A 2	FORWARD GEAR (30 TEETH)	1		
45	31	30895	ROLLER BEARING	1		
46		12239A 1	CAM FOLLOWER ASSEMBLY	1		
47	30	44530	BALL	3		
48	24	30622	SPRING	1		
49	52	822539	CLUTCH	1		
50	17	30632	CROSS PIN	1		
51	24	30893	SPRING	1		
52	44	12238T	PROPELLER SHAFT	1		
53	43	12635	REVERSE GEAR (30 TEETH)	1		
54		12596A 2	BEARING CARRIER ASSEMBLY	1		
55	25	97386	O-RING	1		4,9
56	31	30956	ROLLER BEARING	1		
57	26	70080	OIL SEAL (INNER)	1		9
58	26	70081	OIL SEAL (OUTER)	1		9
59	31	12578	ROLLER BEARING	1		
60	12	12577	THRUST WASHER	1		
61	31	12576	THRUST BEARING	1		
62	16	42917 2	STUD (M8 X 48)	2	DESIGN II	1
63	12	70132	WASHER	2	DESIGN II	
64	11	40119 8	NUT	2	DESIGN II	
65	10	40003 54	SCREW	2	DESIGN I	
66	12	40023 17	WASHER	2	DESIGN I	
67		13191A 1	THRUST HUB ASSEMBLY	1	THESE PARTS ARE NOT INCLU	
68	11	52707A 1	PROPELLER NUT ASSEMBLY	1	THESE PARTS ARE NOT INCLU	
69	14	816629	TAB WASHER GEAR HOUSING	1	THESE PARTS ARE NOT INCLU	
-	26	43035A 4	G/H SEAL KIT	1		
-	27	43004A90	GASKET SET	1		